

Please use this size guide if you are in doubt about the fit of a particular watch size for your wrist.

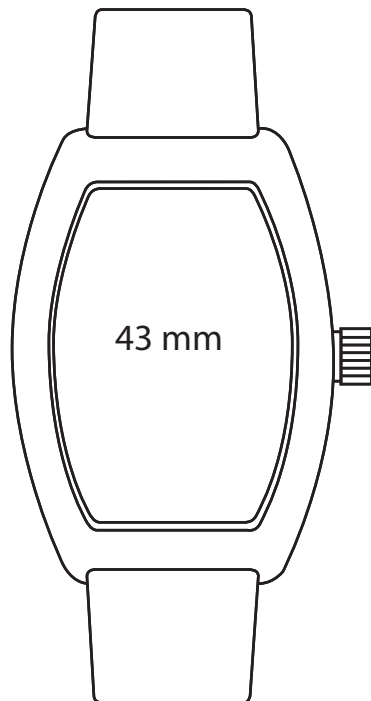
Templates are to actual size so all you need to do is:

- Print the template (**please make sure the printer is set to 100% scaling!**)  
If in doubt, please double check the tape on the right with a flat ruler
- Cut it out and place it on your wrist

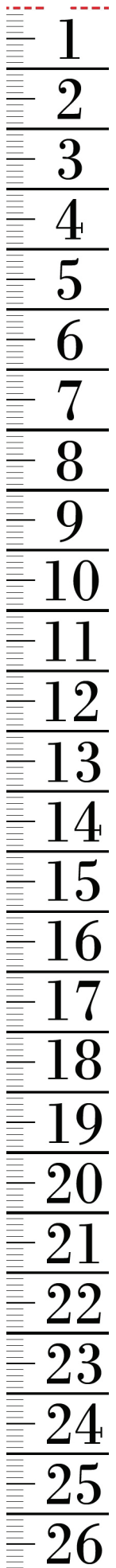
This is a guide only, remember your wrist shape as well as its size will determine how a watch looks on your arm.

You might also want to cut out the measuring tape on the right to determine your wrist circumference.

If you let us know the desired wrist size on the "Notes" section when ordering a watch on metal bracelet, we will be happy to adjust the bracelet to right size and enclose any spare links with your delivery.



cut here to use as measuring tape



Noosa boutique: Shop 5 / 2 Quamby Place • NOOSA QLD 4567 • Australia • Ph (07) 5447 4643

Online boutique: [www.definewatches.com.au](http://www.definewatches.com.au)